

McCafe®

Interior Wall Mount Poster Sign

Installation Instructions

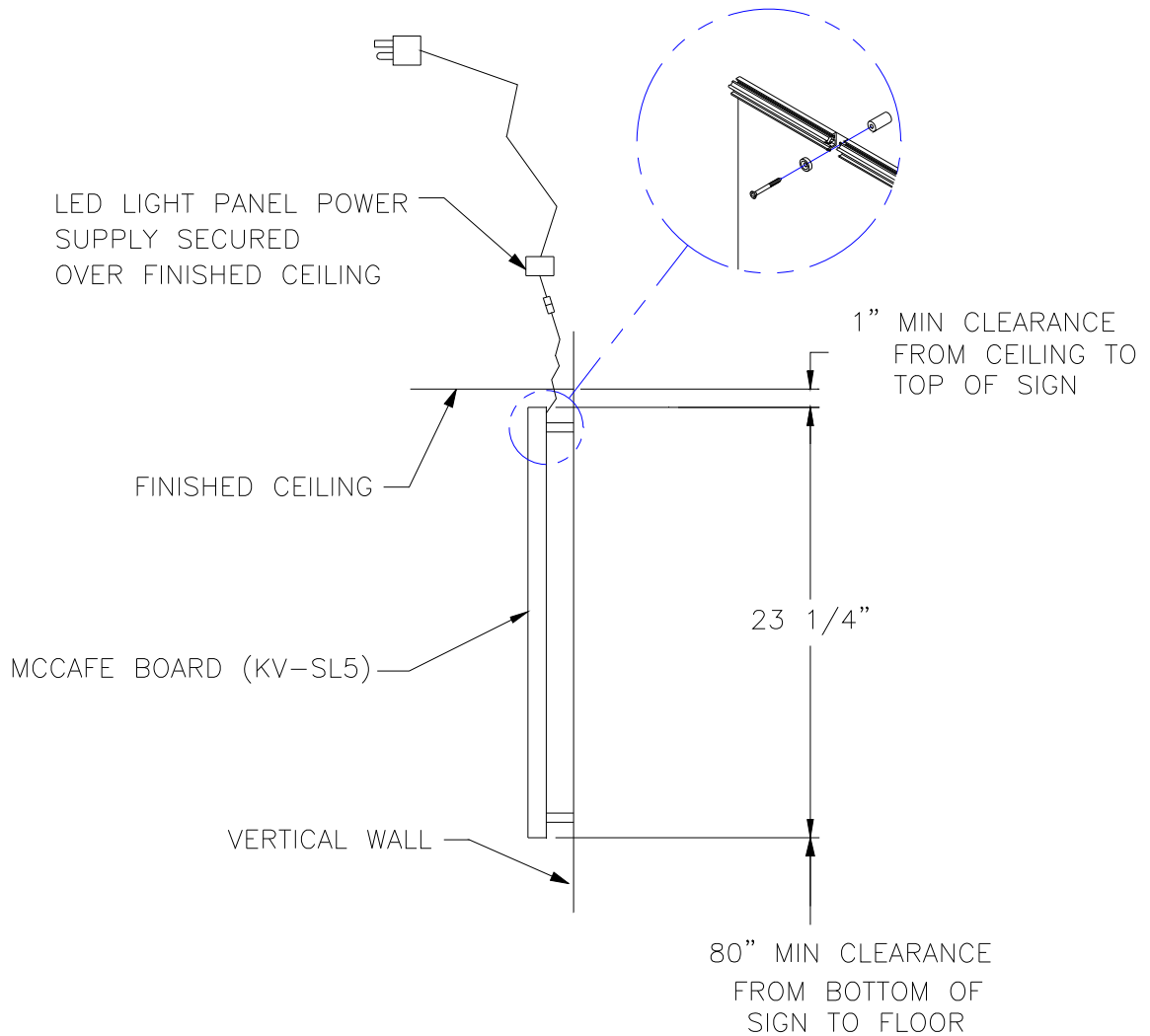


NOTE

- **Drywall screws (#6 x 3"), washers and spacers are provided for mounting into a solid wall valance.**
- **If your wall is not solid – you must use Hollow Wall Anchors (not supplied) or mount directly into Studs.**

Step 1

- Using Figure 1 as a guide – follow clearance recommendations to position your McCafe sign on your wall.
- Be sure sign is LEVEL!



McCafe WALL MOUNT LAYOUT

Figure 1

Step 2

- Open TOP and BOTTOM Poster Grips of your sign by grasping their inside edge and gently pull open towards you.
- Mounting holes will now be visible, 2 at the top and 2 at the bottom.



Figure 2

Step 3

- Secure with (4) drywall screws (#6 x 3"), washers and spacers provided and other hardware if needed.
- Refer to Figure 1 for hardware sequence.

Step 4 Wiring

- Refer to Figure 1 and 3 for details.
- Connect LED Light Panel DC Socket. Locate and secure socket, power supply and power cord above finished ceiling out of customer's view.
- McCafe's LED Light Panel Power cord is furnished with a standard 3-prong male (NEMA 5-15) plug. The plug may be field removed for direct hardwire termination. Comply with all local and NEC standards.
- Installation is complete.

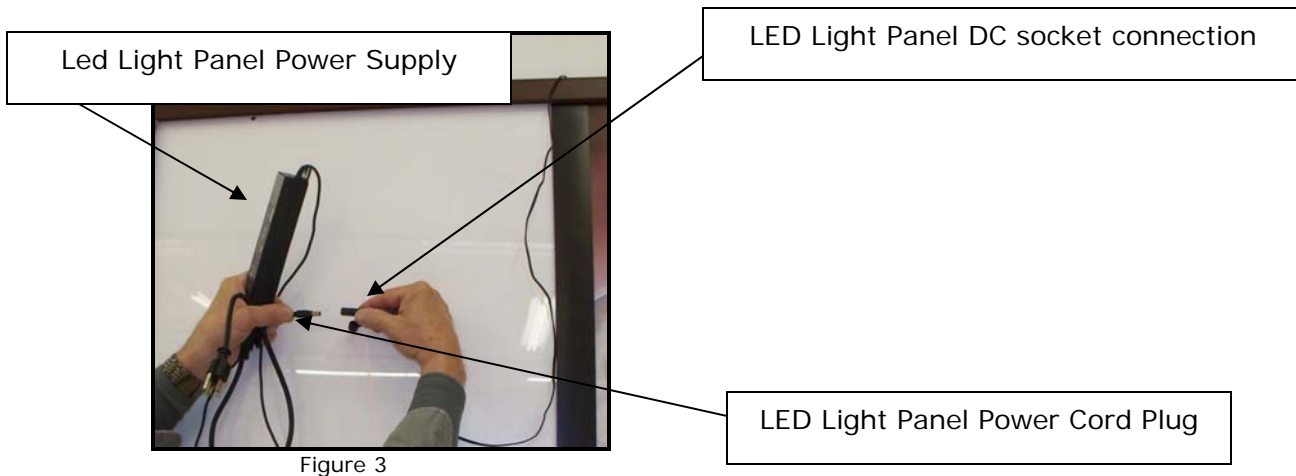
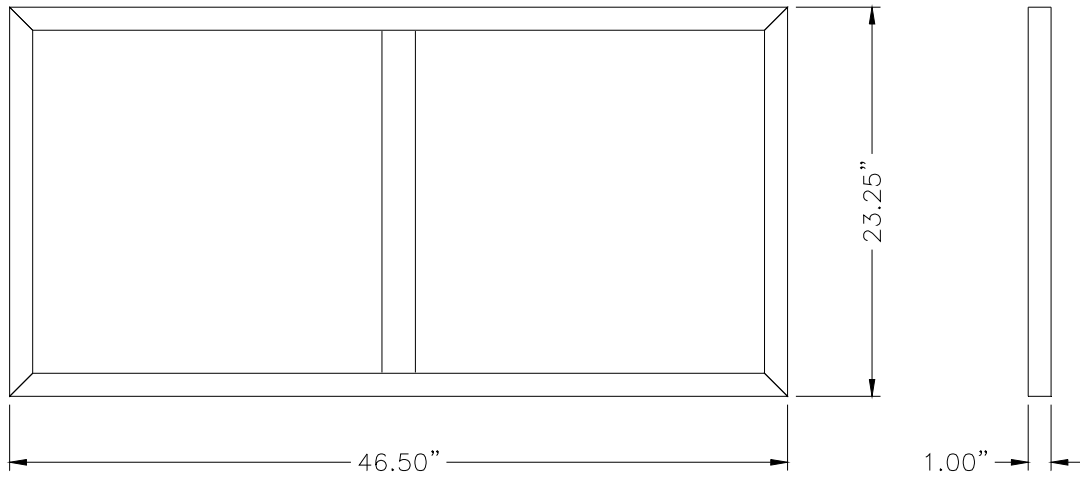


Figure 3

Specifications



Power Requirement: 110 Volts, 60 HZ, 1.5 Amps

Total Weight 19 LBS

P/N: A640151902
REV: A
12/16/2008